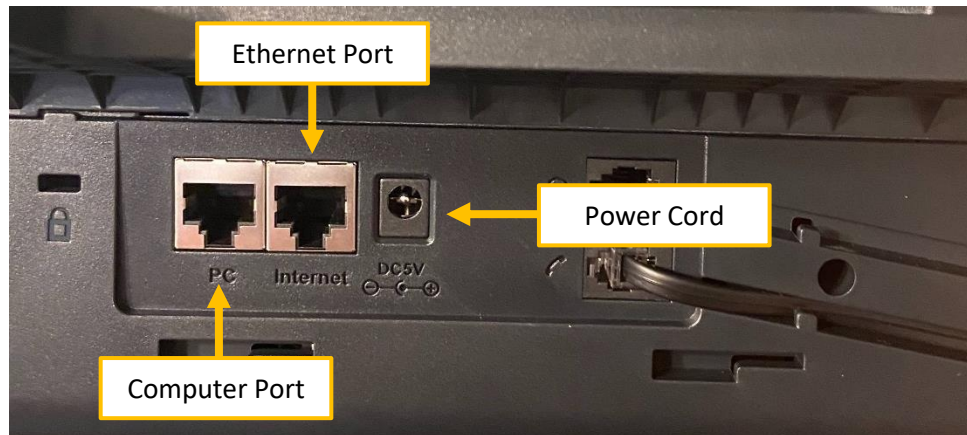




How to plug in your Yealink Phone

When plugging in your Yealink phone, every port has a specific purpose. If the ethernet cord is plugged into the wrong place, your phone will not function properly.

Yealink T54



Steps to plug in phone:

- 1) Plug the Ethernet cord into the phone first. Make sure the other end is connected to the Internet.
- 2) Plug in the power cord.
- 3) ***optional** If you are plugging a computer into your phone, plug in a separate ethernet cord in the computer port.*

Yealink T27

